

(1)	(2)	(3)	(4)	(5)	(6)	(7)	(8)
ILLUS.							QTY
(a)	(b)	SMR	NATIONAL	PART	DESCRIPTION	U/M	INC
FIG.	ITEM	CODE	STOCK	NUMBER	FSCM		IN
NO.	NO.		NUMBER		USABLE ON CODE		UNIT
					0803-GEAR SHIFT, VACUUM BOOSTER AND CONTROLS (CONT'D)		
74	2	PAOZZ	9905-00-111-6662	10937760	19207	PLATE, INSTRUCTION: AIR LOCKUP INDICATOR PANEL AB,AC	EA 1
74	3	PAOZZ	5305-00-984-6189	MS35206-241	96906	SCREW, MACHINE: BRACKET TO INDICATOR LAMP RETAINER AB,AC	EA 2
74	4	PAOZZ	5340-00-113-8046	10937865	19207	BRACKET, ANGLE: LAMP AND AIR VALVE AB,AC	EA 1
74	5	PAOZZ	5310-00-959-7600	MS51922-5	96906	NUT, SELF-LOCKING: BRACKET RETAINING AB,AC	EA 2
74	6	PAOZZ	5305-00-068-0504	MS90726-3	96906	SCREW, CAP, HEXAGON HEAD: BRACKET RETAINING AB,AC	EA 2
74	7	PAOZZ	2530-00-832-8077	10924753	19207	VALVE ASSEMBLY: AIR CONTROL AB,AC	EA 1
74	8	PAOZZ	6210-00-699-9457	8376499	19207	LAMP ASSEMBLY: AIR LOCK-UP INDICATOR PANEL AB,AC	EA 1
74	9	PAOZZ	6240-00-266-9940	MS25231-1829	96906	LAMP, INCANDESCENT AB,AC	EA 1
74	10	PAOZZ	4730-00-921-3240	MS39182-1	96906	ELBOW, PIPE TO TUBE AB,AC	EA 1
74	11	PAOZZ	4730-00-122-0477	MS39197-1	96906	SLEEVE, COMPRESSION AB,AC	EA 1
74	12	PAOZZ	4730-00-278-8824	MS39196-1	96906	NUT, TUBE COUPLING: AIR SUPPLY TUBE AB,AC	EA 1
74	13	PAOZZ	4730-00-640-6582	443977	21450	NIPPLE, PIPE: HOSE TO AIR CONTROL VALVE AB,AC	EA 1
74	14	PAFZZ	5930-00-453-9367	11609301	19207	SWITCH: AIR PRESSURE, FOR INDICATOR LAMP AB,AC	EA 1
74	15	MOOOO	2590-00-111-6661	11609240	19207	CABLE JUMPER ASSEMBLY: 5 IN. LG. AIR PRESSURE SWITCH TO INSTRUMENT FEED CONNECTOR AND AIR LOCKUP INDICATOR	
74	16	XBOZZ		7982404	19207	LAMP ASSEMBLY (SEE FIG 75, ITEM 1) AB,AC CONNECTOR, ASSEMBLY: INSTRUMENT FEED, CABLE ASSEMBLY AND HARNESS ASSEMBLY AB,AC	EA 1
74	17	MOOOO	2590-00-111-6660	10896598-4	19207	HARNESS ASSEMBLY: CONNECTOR TO EXISTING HARNESS (SEE FIG 75, ITEM 10) AB,AC	EA 1
74	18	PAOZZ	4730-00-952-7033	MS39189-1	96906	TEE, PIPE TO TUBE: HOSE AND SERVICE LINE AB,AC	EA 1
74	19	PAOZZ	4720-00-727-1627	8741776	19207	HOSE ASSEMBLY, RUBBER: AIR BRAKE AB,AC	EA 1
74	20	XBOZZ		10937722	19207	TUBE ASSEMBLY, METAL: AIR CONTROL VALVE TO FIREWALL AB,AC	EA 1
74	21	PAOZZ	4730-00-456-5938	10924754	19207	UNION, TUBE: FIREWALL AB,AC	EA 1
74	22	PAOZZ	4710-00-113-8048	10937717	19207	TUBE ASSEMBLY, METAL: 74 IN. LG, FIREWALL UNION TO FRAME CROSSMEMBER ELBOW AB,AC	EA 1

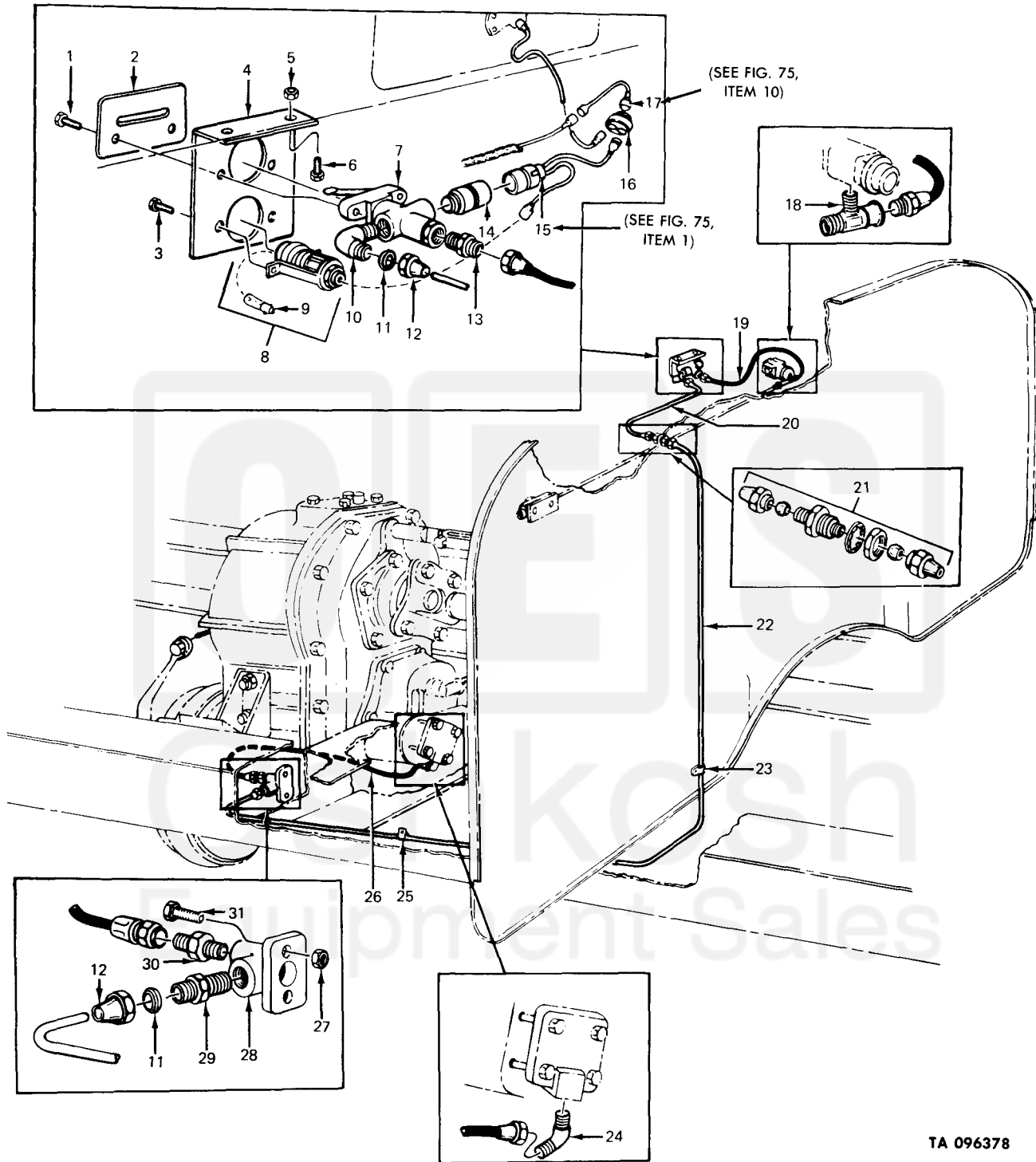


Figure 74. Spring unit to air actuated lockup transfer conversion kit.